

# NELSON™ HEAT TRACING SYSTEMS

## LLT-SS SPLICE KIT

## INSTALLATION INSTRUCTIONS

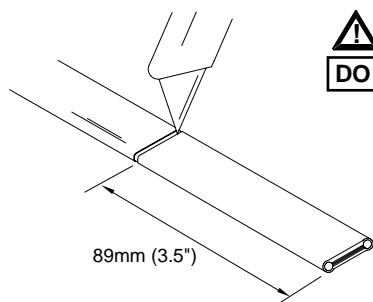
### DESCRIPTION

The LLT-SS Splice Kit is for use with Nelson Heat Tracing Systems' LLT heater cables with fluoropolymer overjacket.

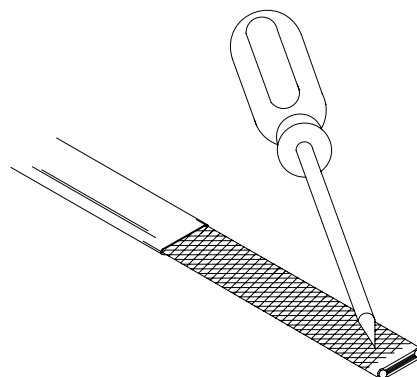
### KIT CONTENTS

- 2 Uninsulated Splice Connectors
- 4 Insulated Splice Connectors
- 1 Shrink Tube, 18mm (0.7") diameter, 152mm (6") length
- 2 Silicon Tube, 28mm (1.1") wide, 229 mm (9") length

### OVERJACKET STRIPPING PROCEDURES

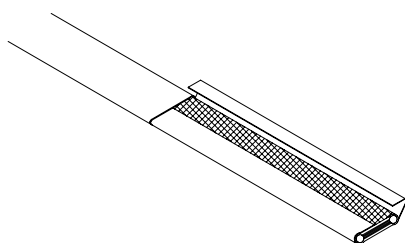


**⚠ WARNING:**  
**DO NOT CUT BRAID**

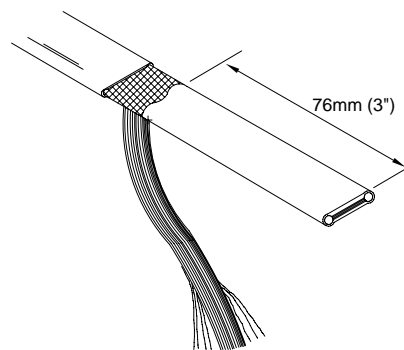


- 1 Lightly cut around heater overjacket 89mm (3.5") from the end. Bend cable to break the overjacket.
- 2 Lightly cut overjacket up the center between first cut mark and the cable end. Bend cable to break

- 4 Using an awl or other sharp pointed device, unravel the braid from the cable. Even though most of the outer jacket will be removed in a subsequent operation, do not puncture it with the awl.

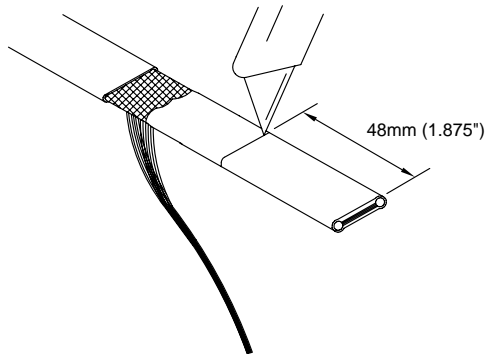


- 3 Remove overjacket from heater cable.

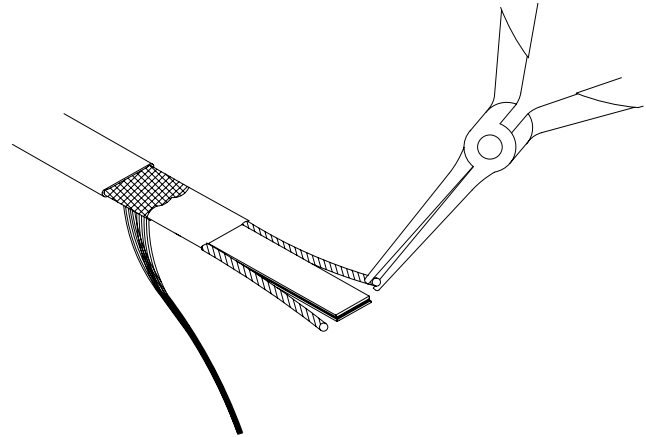


- 5 After the braid has been unraveled, pull it tight and twist the loose wires together (*see diagram above*). A butt splice will be installed on this wire in another operation.
- 6 Repeat steps 1 - 5 for the second heater cable.
- 7 Proceed to "Outer Jacket Stripping Procedures", sheet 2 of 2.

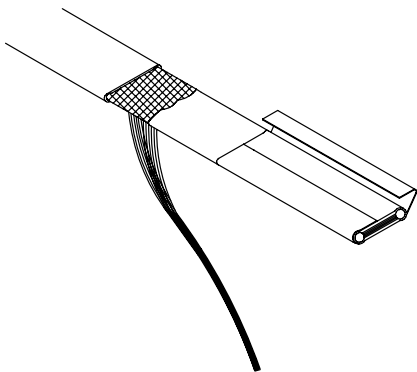
### OUTER JACKET STRIPPING PROCEDURES



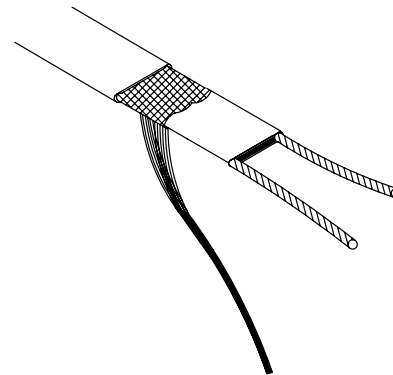
- 1 Lightly cut around heater outer jacket 48mm (1.875") from the end. Bend cable to break the outer jacket.
- 2 Lightly cut the outer jacket up the center between the first cut mark & cable end. Bend cable to break the outer jacket.



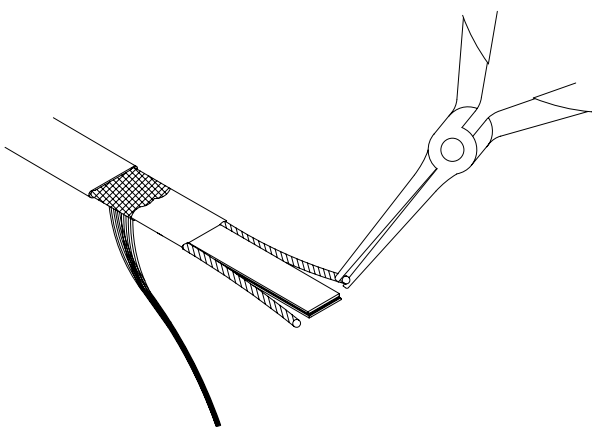
- 5 Starting at the end, pull each bus wire away from the core material.



- 3 Remove jacket from the heater cable.

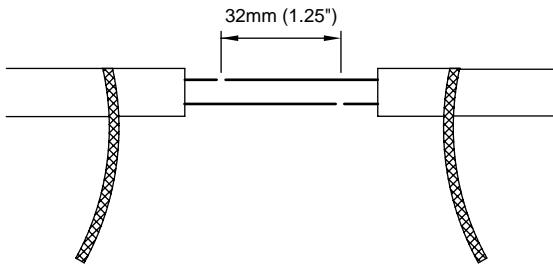


- 6 Remove exposed core material.
- 7 Proceed to "Shrink Tube Procedures", sheet 3 of 3.

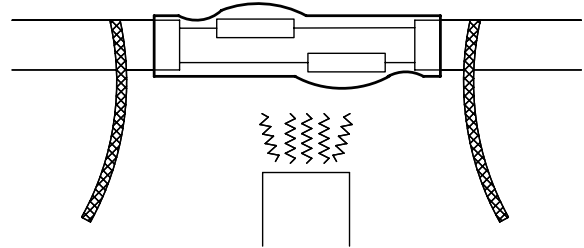


- 4 Shave the core material from the outside of each bus wire.

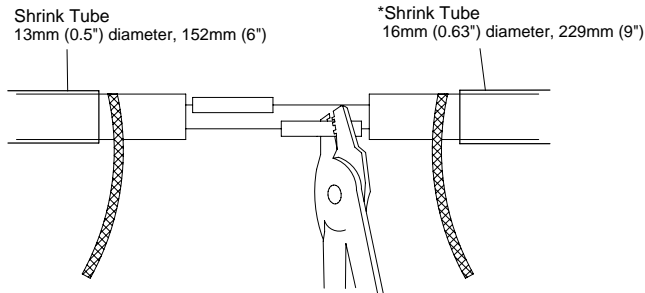
### SHRINK TUBE PROCEDURES



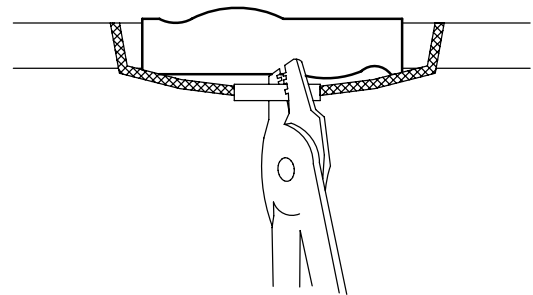
- 1 Position both heater cables with the ground braid on the same side. Remove 32mm (1.25") of bus wire from each heater cable to offset for insulated splice connectors.



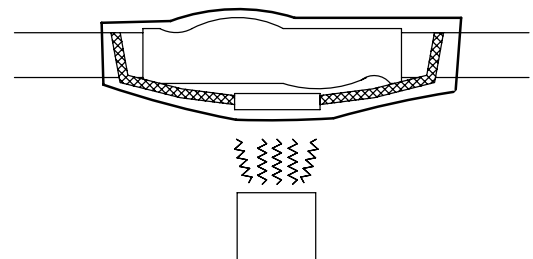
- 3 Center the 18mm (0.7") diameter, 152mm (6") length shrink tube over the connectors leaving the braid straps exposed. Shrink with heat gun until completely shrunk. A uniform bead of glue should appear around the ends of the shrink tube.



- 2 Slide one 18mm (0.7") diameter, 152mm (6") length shrink tube over one of the heater cables. Crimp an insulated splice connector to each bus wire connecting the two heater cables together.



- 4 If necessary, cut excess length from braid straps. Crimp the braid straps together into an uninsulated splice connector.



- 5 Center the 28mm (1.1") diameter, 229mm (9") length shrink tube over the splice and braid connection. Shrink with heat gun until completely shrunk. A uniform bead of glue should appear around the ends of the shrink tube.

Nelson Heat Tracing Systems products are supplied with a limited warranty. Complete Terms and Conditions may be found on Nelson's website at [www.nelsonheaters.com](http://www.nelsonheaters.com).